



Interreg - IPA CBC
Italy - Albania - Montenegro



EUROPEAN UNION



LEAD PARTNER SEMINAR

Interreg IPA CBC IT-AL-ME

INTRODUCTION

Bari, 5 June 2018

Mauro Novello - *Joint Secretariat / Managing Authority*



REGIONE PUGLIA

Objective of the LP Seminar



- ✓ **Increase understanding of programme requirements**
- ✓ Increase awareness of key rules
- ✓ Common understanding
- ✓ Provide some answers to some questions



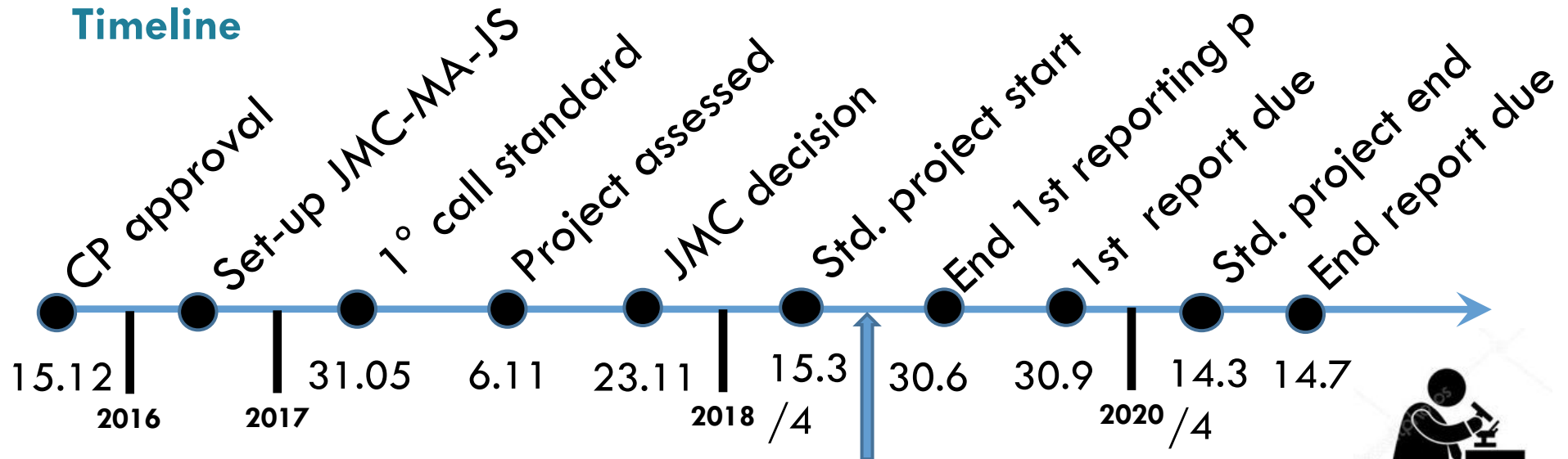
Agenda of the LP Seminar

- ✓ 9:30 – 13:00 Session 1
 - 9:30 Part A Intro
 - 11:00 Part B Financial management
- ✓ 13:00 – 14:00 Break
- ✓ 14:00 – 16:30 Session 2
 - 14:00 Part A Reporting and changes
 - 16:00 Part B Project communication



First call for Standard Projects / Timeline

Timeline



Budget for 32 projects



Priority axis		EURO	projects
1 Competitiveness	€	7.044.758,63*	7
2 Tourism/Culture	€	13.120.522,83*	14
3 Water landscape/Energy efficiency	€	6.286.929,32	7
4 Transport	€	4.028.303,33	4
Total	€	30.480.514,11	32

* Increased to address the high number of applications

PA1 Competitiveness of SMEs / Projects financed



Please raise your hand!

- BRE – e-register
- 3C4SME – access to credit
- FILA – Agroo-food
- INNOUTOURCLUST – Tourism clusters
- INERRANT – Innovative SMEs
- HISTEK - Key Enabling Technologies
- INTERACT 4.0 – Handicraft

PA2 Tourism & Culture / *Projects financed*



Please raise your hand!

- HAMLET – Handicraft & culture
- WISHFUL – Disabilities
- 3D-IMPACT – 3D technology
- REGLPORTS – Nautical tourism
- OPEN TOURISM – Local communities
- P.A.S.T.4FUTURE – Sustainable tourism
- CO.CO.TOUR – Eco-Museum
- NEST – Destination management
- CROSS-BORDER OL – Rural tourism

PA2 Tourism & Culture / *Projects financed*



Please raise your hand!

- COMPLICITIES – Urban regeneration
- CIRCE – Visual arts productions
- ADNICH – Theater productions

- MONET – Museums
- TOURNEE – Theaters

PA3 Water landscapes & energy / Projects financed



Please raise your hand!

- 3 WATCH OUT – Disasters management
- FLAT – Floods and landslides

- BLUE LAND – Coasts
- ADRINET – Sea
- WELCOME – Coasts
- LASPEH – Ecosystems
- REEHUB – Energy efficiency

PA 4 Sustainable transport / *Projects financed*



Please raise your hand!

- ON CLOUD NINE – Air links
- SAGOV – Transport policies
- PORTS – Maritime links
- DYNAMOB. 2.0 – Car and bike sharing

Legal framework

EU Regulations

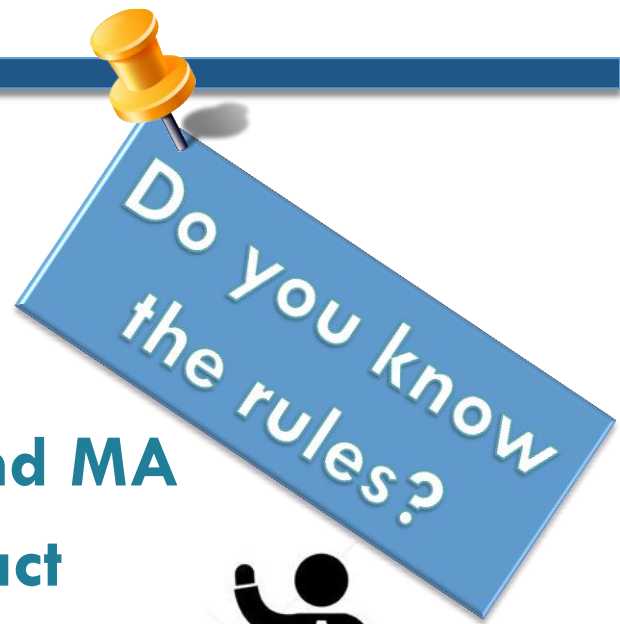
National laws and rules

Cooperation programme

Decisions by JMC and MA

Subsidy contract

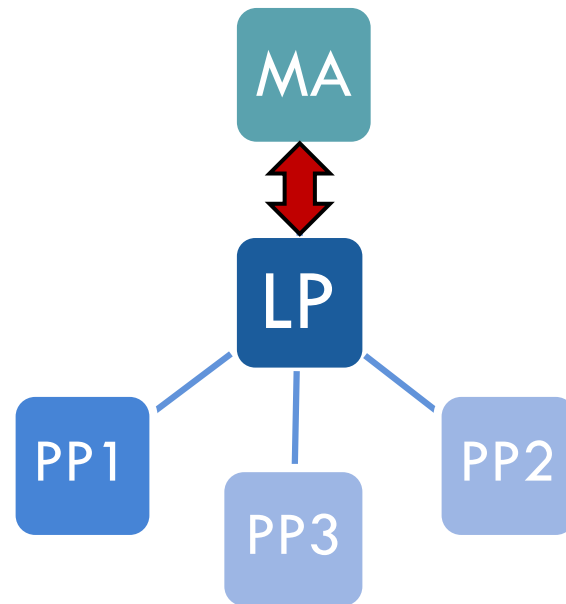
- ✓ signed by MA + LP legal representatives
- ✓ obligations start before + end after contract



Subsidy contract / Partnership agreement

- ✓ Binding legal basis
- ✓ Partners obligations
- ✓ Minimum requirements (DO NOT change), adding is OK

Warning: MA contracts / contacts only LP, NOT PPs



Subsidy contract / Key clauses

- ✓ Amount of subsidy / **15% co-financing** obligation
- ✓ 20% IPA Pre-financing / **offset of pre-financing** (first 3 reports)
- ✓ LP responsibility on entire project
- ✓ Possibility to **de-commit budget** (if serious delays)
- ✓ Project **start / end dates** & preparation / closure lumpsums



Subsidy contract / Key clauses

- ✓ **Reporting** obligations: PPs to LP, LP to MA,
- ✓ Right to **deduct expenditures** (e.g. out of scope)
- ✓ Obligation to control (FLC)
- ✓ Rules for **project changes** / flexibility
- ✓ Project management responsibility by LP
- ✓ Audit of operations
- ✓ Expenses documentation / audit trail



Subsidy contract / Key clauses

- ✓ **Recovery** of irregular expenditures
- ✓ Publicity and communication
- ✓ **Ownership** of results
- ✓ Revenues
- ✓ Legal succession, termination and litigation

These provisions are reflected in partnership agreement



Careful in case of irregularities

- ✓ Art. 13/27 ETC & art. 40/46 IPA CBC, LP principle:
- ✓ In case of irregularities at any Project Partner, MA recovers from LP, LP from PP



- ✓ *Only if unsuccessful, subsidiary liable are the Countries*

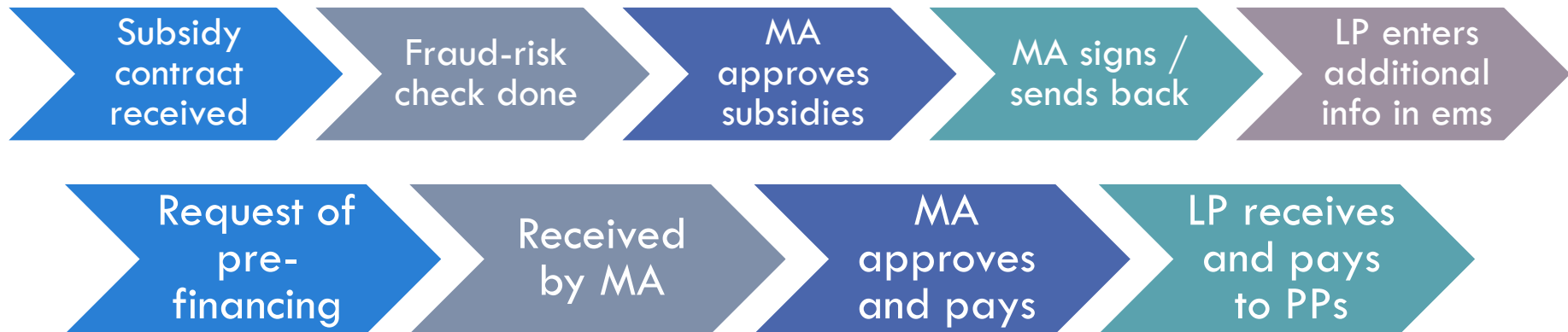


Subsidy contract / Key advice

- ✓ Carefully **read contracts** / check consequences!
- ✓ Lead Partner is responsible for **entire project**!
- ✓ Lead Partner, National Controllers, JS/MA **may not agree** with expenditures!
- ✓ **Auditor** comes for sure:
... THIS IS TOO LATE!
- ✓ Ask for **advice** as soon as possible!



Subsidy and pre-financing

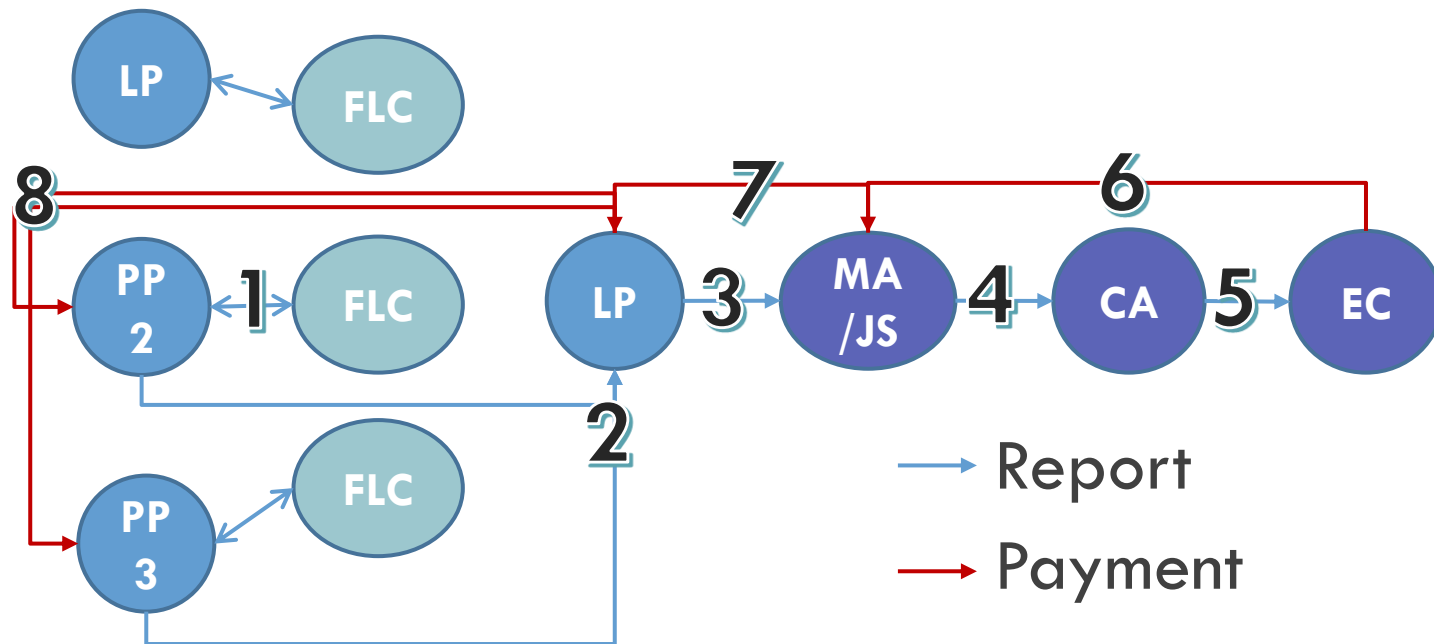


- ✓ Expenditures eligibility: from start date, as in AF
- ✓ Retroactive effects: from signature

To be filled in the eMS supplementary info

- Contact details project managers
- National controllers (if available)
- Bank details of LP
- Upload partnership agreement (if not with subsidy)
- Inform us!

Reporting / Payment flows



Reports / payments

Work and cash flow in brief, with a simple example

Subsidy

PP's total budget confirmed
e.g. 100 € (85 € IPA, 15 € nat)

STEP
01



Spending

PP contracts/pays services, e.g. 1st
period 20 €, PP sends to FLC 20 €

STEP
03



APPROVED

STEP
04

National control

FLC certifies e.g. 18 € (2 €
ineligible), PP reports to LP 18 €

STEP
05



Reporting

LP confirms consistency of PPs
reports. LP reports to MA 18 €



CA

CA checks & applies for
payment to EC for e.g. 18 €

STEP
06

MA/JS

MA/JS reconfirms to CA
consistency 18 €

STEP
07



STEP
08

EC

EC checks / pays to MA,
15,3 € IPA (85% of 18 €)



MA

MA pays to LP 9,7 € IPA, i.e. 15,3 € -
pre-financing offset (17/3=5,6 €)

STEP
09



*** AA

In future audits of operation AA might
find irregularities. Unduly paid
amounts are paid back by 1- MA to EC,
2 - by LP to MA, and 3 - by PP to LP

STEP
10

Payment

PP receives from LP for the 1st
period = 9,7 € IPA

LEGENDA:

PP = project partner

JS = joint secretariat

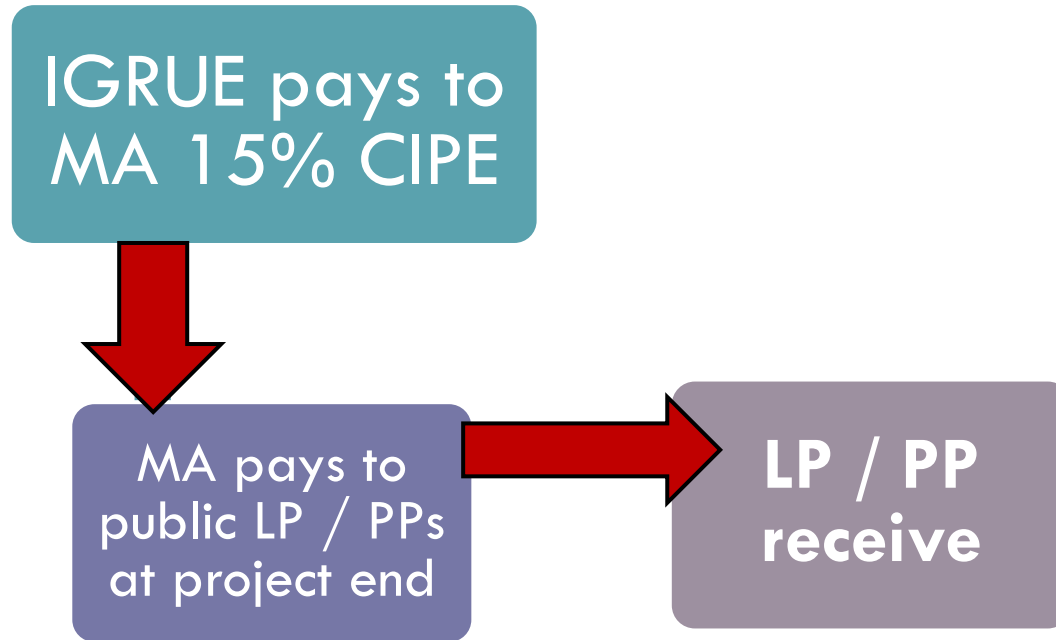
LP = lead partner

CA = certifying authority

MA = managing authority

EC = European commission

Payment IGRUE – MA – PUBLIC Partners IT



Contacts

All documents are available at:



www.italy-albania-montenegro.eu

Join our community at:



www.facebook.com/italy.albania.montenegro

Joint Secretariat:



js@italy-albania-montenegro.eu



+39 0805406545



Interreg - IPA CBC
Italy - Albania - Montenegro



EUROPEAN UNION



Thanks for your attention

Contacts

- ❑ Mauro Novello
- ❑ Joint Secretariat
- ❑ m.novello.js@regione.puglia.it
- ❑ www.italy-albania-montenegro.eu



@italy.albania.montenegro
www.italy-albania-montenegro.eu



Managing Authority REGIONE PUGLIA